

# WinRelay STUDIO

TM

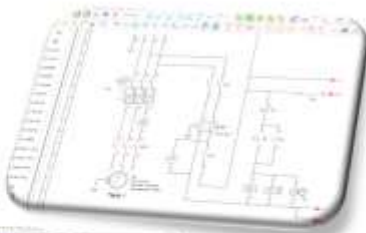
TM

NEW

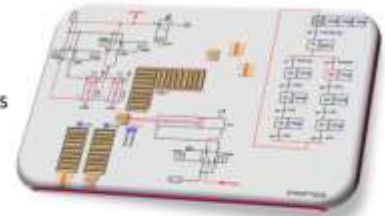
## Wiring diagram Design & Simulation

WinRelay STUDIO is the combination of the WinRelay V2.4 schematic editor and a Simulator. With WinRelay STUDIO you can design and simulate in a realistic way your electrical schematics (IEC & NEMA) but also pneumatic schematics as well as synoptic views with a single software.

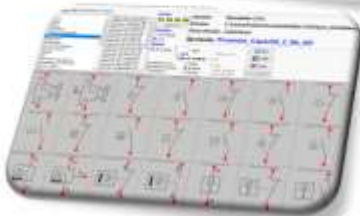
Edit your diagrams on WinRelais



Create your own animated synoptics physics-sensitive



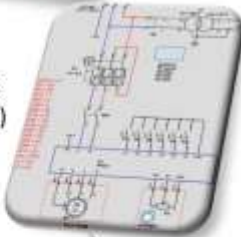
Over 200 simulated symbols available



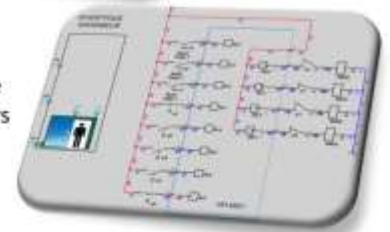
View the evolution of your system



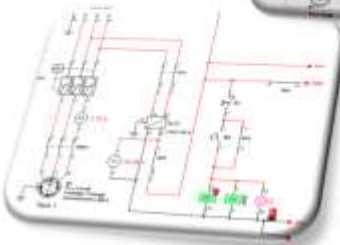
Library of complex components (variable speed drives)



Draw PLCs programmable logic controllers



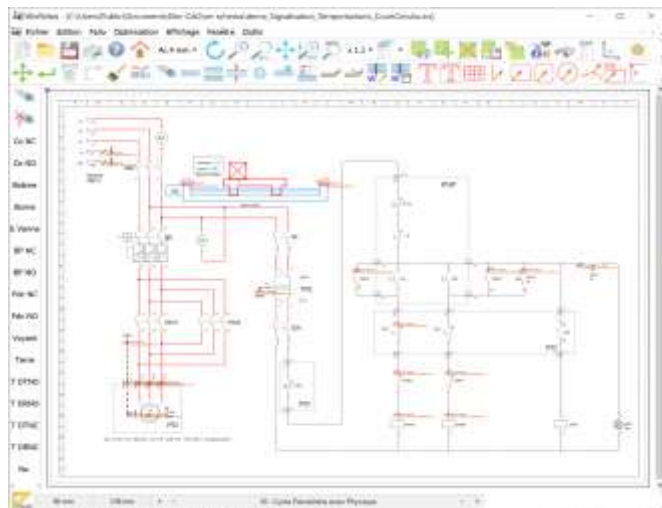
Interact with the simulated folios



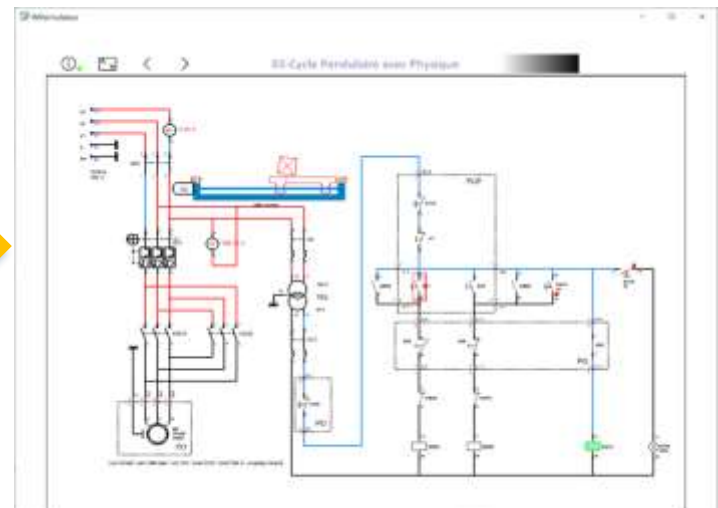
Program these PLCs with your favourite editor



WRSimulateur  
(C) 2023  
distribué par  
INGE<sup>RE</sup>A



WinRelay V2.4 schematic editor



Simulator

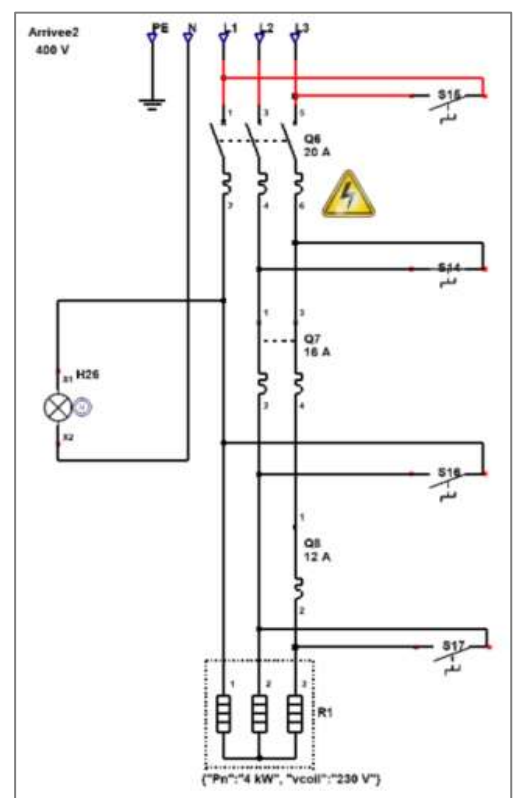
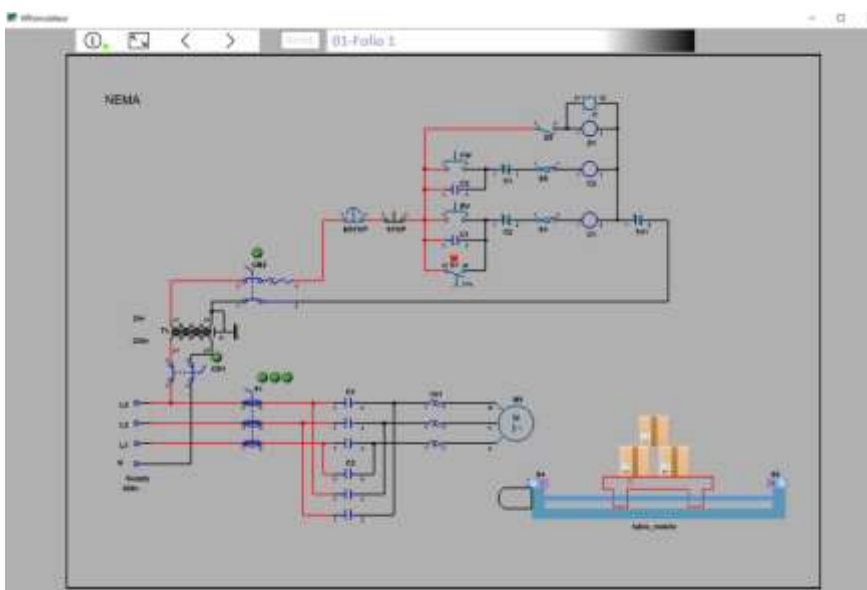
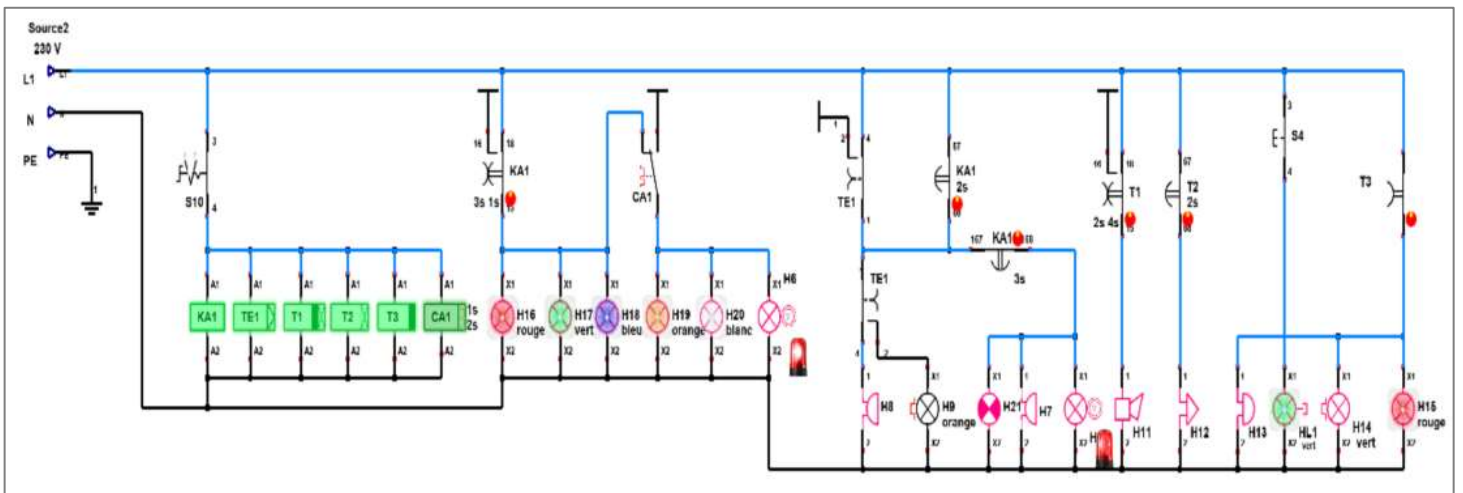
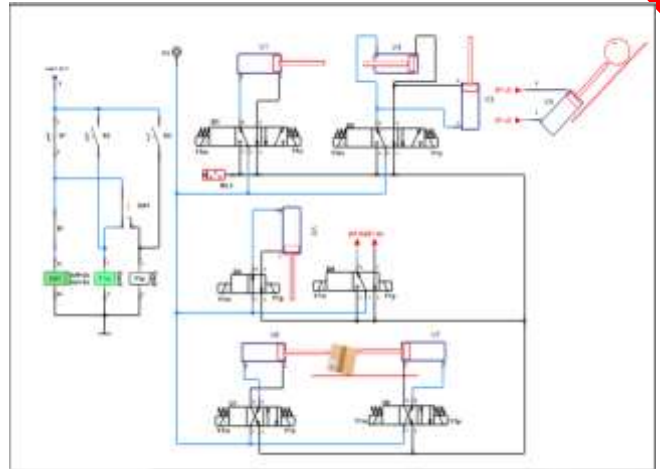
# WinRelay STUDIO

TM

NEW

## Main features :

- All the features of WinRelais PREMIUM or EXPERT versions
- New library of simulatable symbols **IEC & NEMA**
- Simulation of up to 32 folios
- Interaction on control devices
- Short circuit test
- Display of measured values (ammeter, voltmeter)
- Animation of electrical symbols and conductors
- Animation of synoptic views and objects with physical motor
- Drawing of curve and time diagrams
- MODBUS/TCP IP communication interface
- Interactive folio referrals during simulation
- ZOOM function with image movement on the screen
- Full screen schematic display function
- Available as a site licence (unlimited number of installations)



## System requirements :

- MS Windows 10 et 11
- **OPEN GL compatible graphics card**
- RAM memory : 8 Go
- Hard disk : 1 Go

